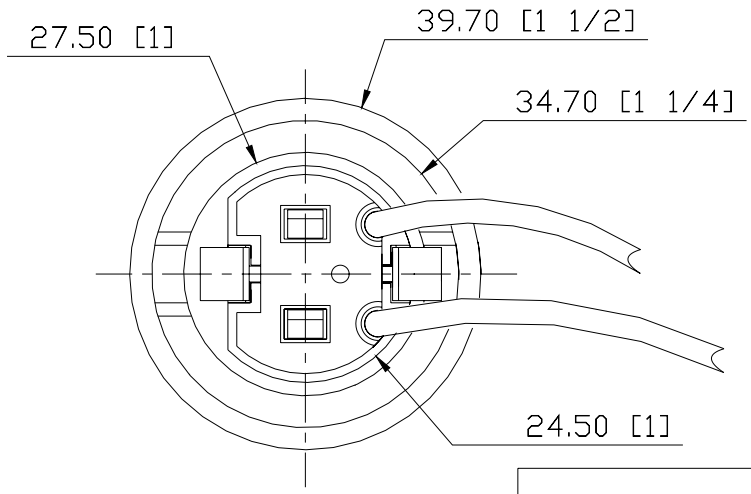
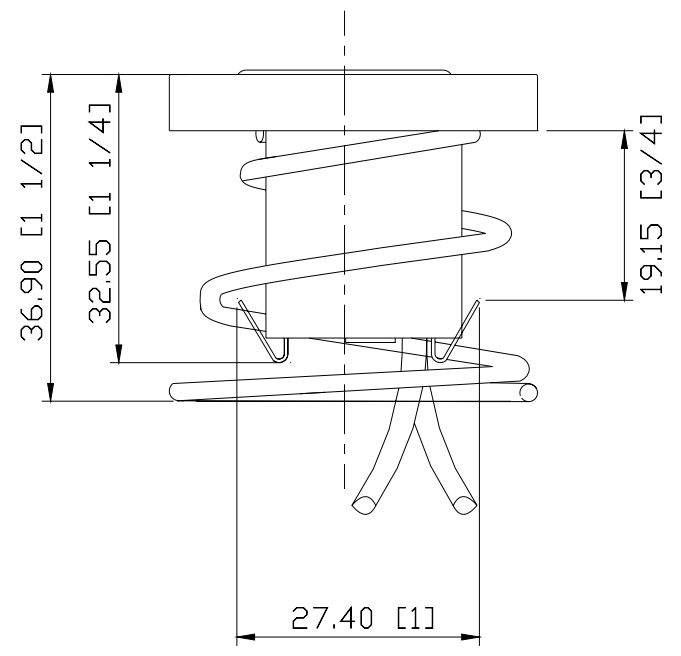
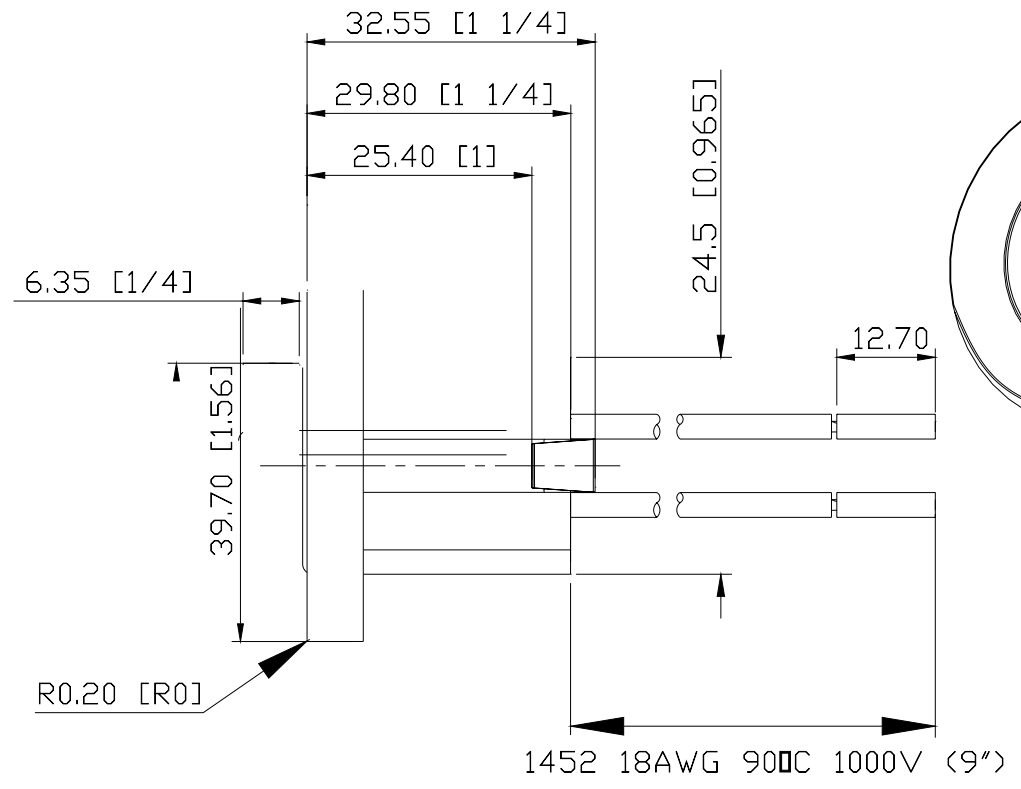
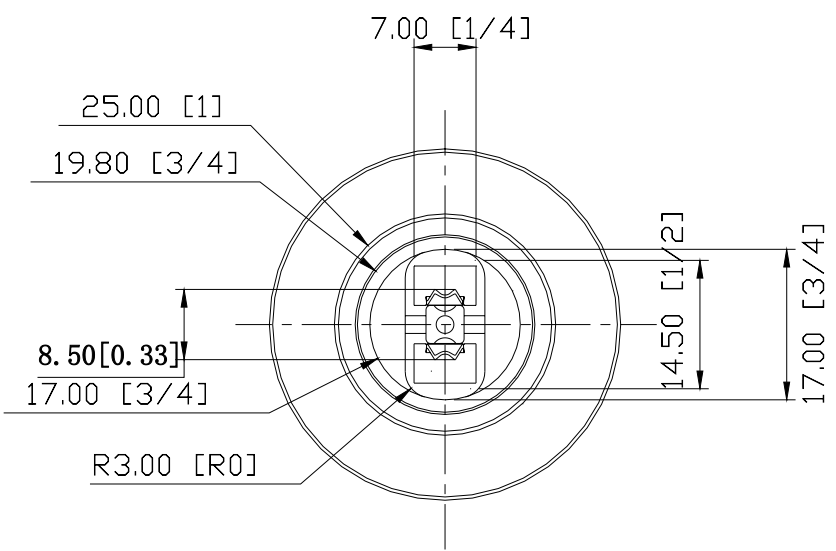


REVISIONS			
ZONE	DESCRIPTION	DURBEN	DATE



<b>H.H. FLUORESCENT PARTS.INC.</b>			UNLESS OTHERWISE SPECIFIED: DIMENSIONS ARE IN MM	
			DECIMALS .XX ±.05 .XXX ±.010	ANGULAR ± 0.5°
MODEL B-131-12	SCALE 1: 1	UNIT MM	DRAWN HUANG CHU YONG	DATE 4-21-10
TITLE	MATERIAL	SHEET A4	DESIGN	
DRAW NO.	PAPER NO.	REV	APPROVED	