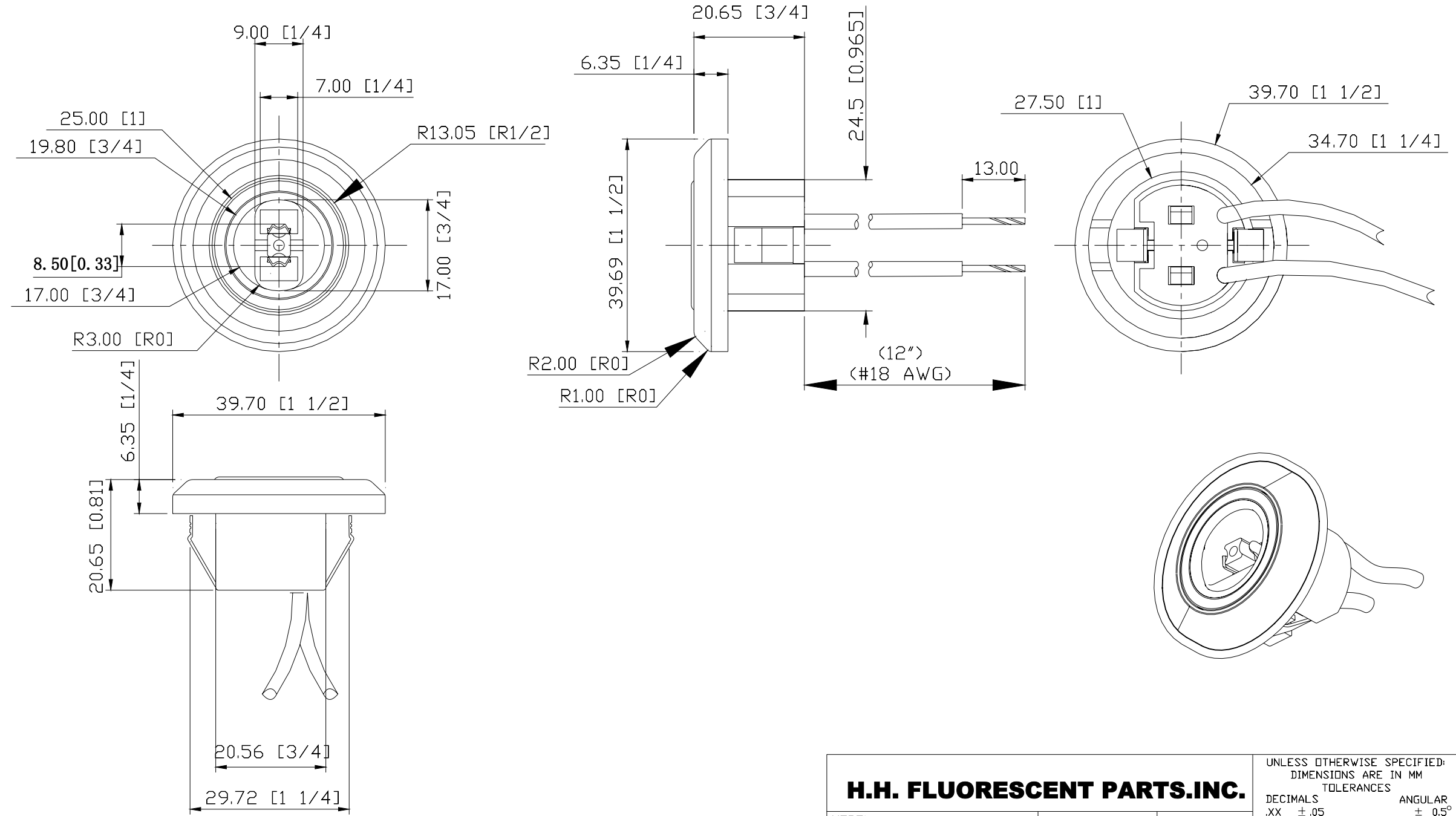


REVISIONS		
ZONE	DESCRIPTION	DURBEN



H.H. FLUORESCENT PARTS.INC.			UNLESS OTHERWISE SPECIFIED: DIMENSIONS ARE IN MM TOLERANCES	
MODEL	SCALE	UNIT	DECIMALS	ANGULAR
B-131-12	1: 1	MM	.XX ±.05	± 0.5°
TITLE	MATERIAL	SHEET	.XXX ±.010	
		REV	DRAWN	DATE
			HUANG CHU YONG	21-4-10
DRAW NO.	PAPER NO.		DESIGN	
			APPROVED	