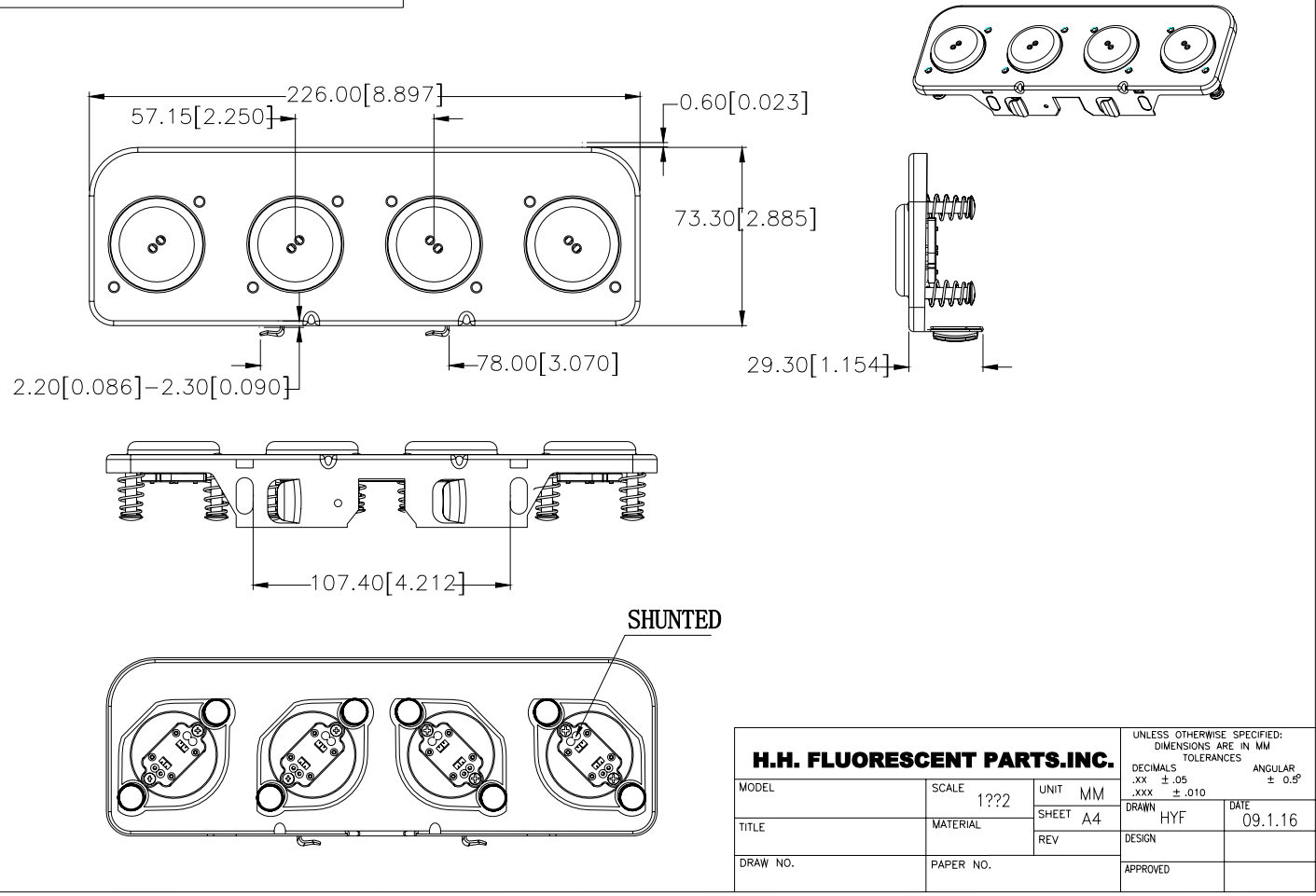


HH#: 444S-9-250 KD SPRING



H.H. FLUORESCENT PARTS, INC.			UNLESS OTHERWISE SPECIFIED: DIMENSIONS ARE IN MM TOLERANCES	
MODEL	SCALE 1???	UNIT MM	DECIMALS .XX ± .05	ANGULAR ± 0.5°
TITLE	MATERIAL	SHEET A4	DRWN HYF	DATE 09.1.16
DRAW NO.	PAPER NO.	REV	DESIGN	APPROVED