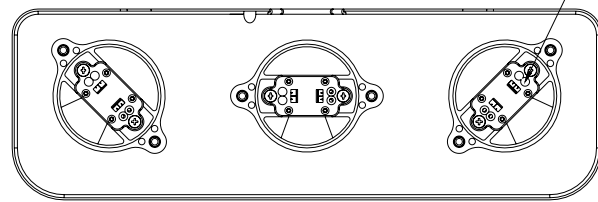
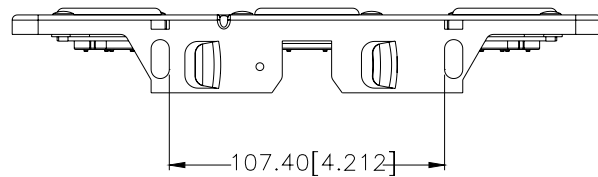
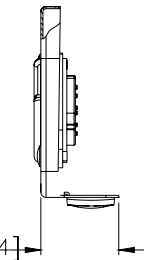
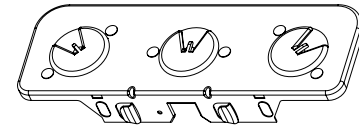
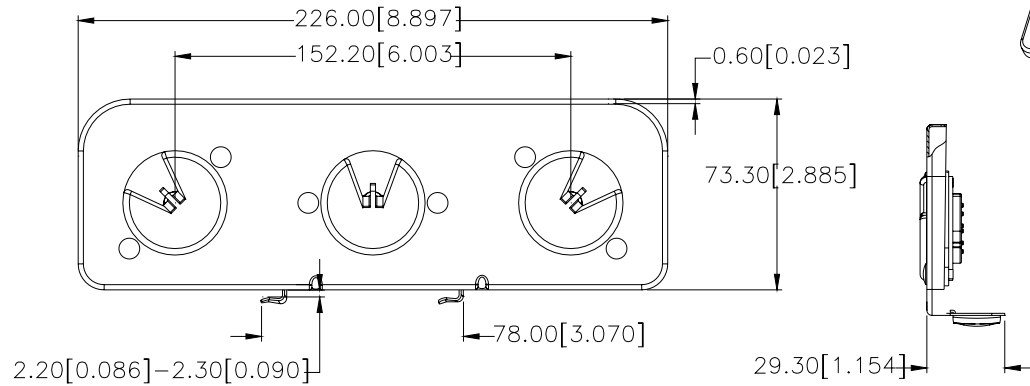


HH#:333S-9-250 KD SOLID



H.H. FLUORESCENT PARTS, INC.			UNLESS OTHERWISE SPECIFIED: DIMENSIONS ARE IN MM	
			DECIMALS .XX ± .05 .XXX ± .010	ANGULAR ± 0.5°
MODEL	SCALE 1???	UNIT MM	DRAWN HYF	DATE 09.1.16
TITLE	MATERIAL	SHEET A4	DESIGN	
DRAW NO.	PAPER NO.	REV	APPROVED	