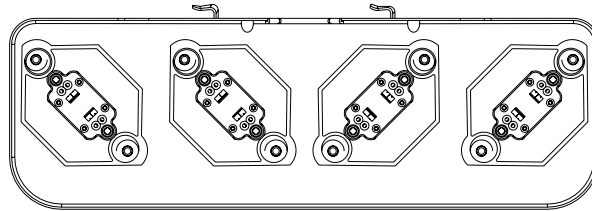
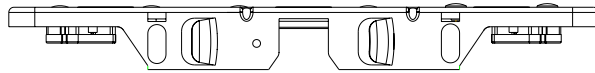
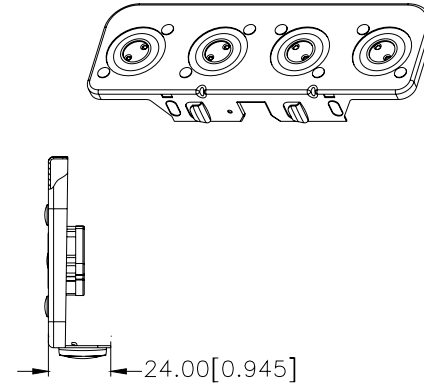
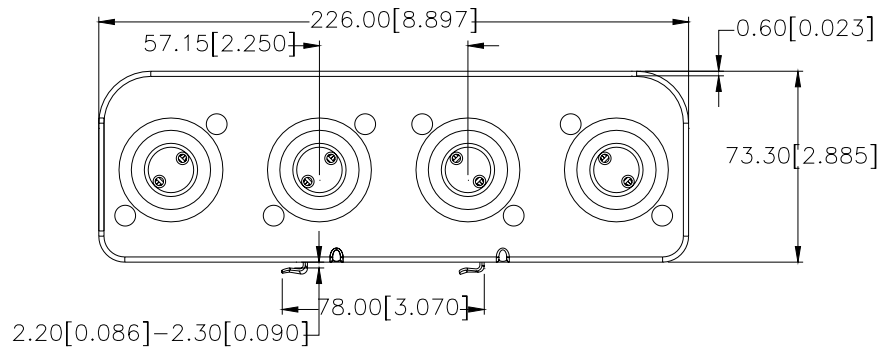


HH#:319-9-250 AKD SOLID



H.H. FLUORESCENT PARTS.INC.			UNLESS OTHERWISE SPECIFIED: DIMENSIONS ARE IN MM	
MODEL	SCALE 1??2	UNIT MM	DECIMALS TOLERANCES .XX ±.05	ANGULAR ± 0.5°
TITLE	MATERIAL	SHEET A4	DRAWN HYF	DATE 09.1.16
DRAW NO.	PAPER NO.	REV	DESIGN	APPROVED