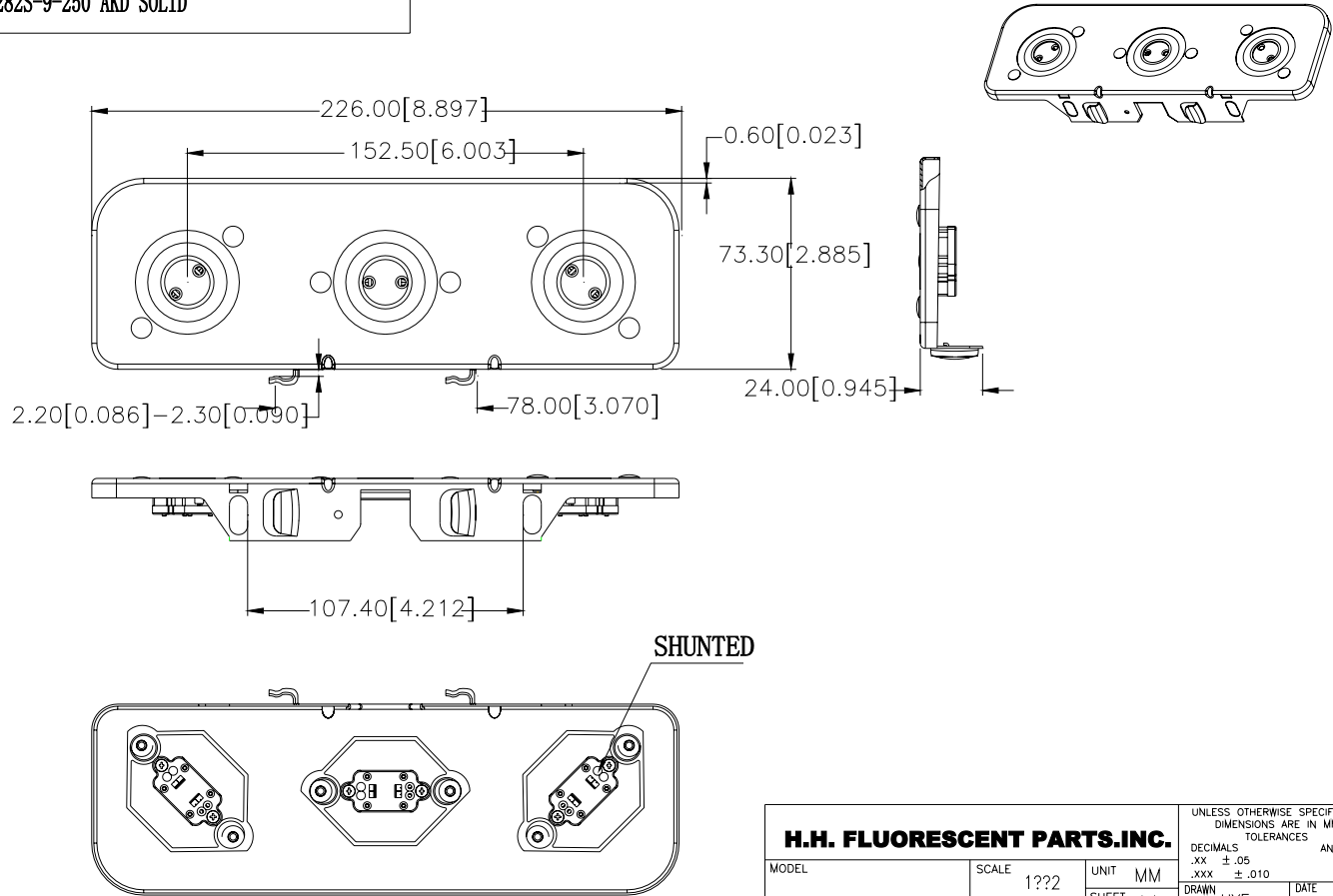


HH#:282S-9-250 AKD SOLID



H.H. FLUORESCENT PARTS.INC.			UNLESS OTHERWISE SPECIFIED: DIMENSIONS ARE IN MM	
MODEL	SCALE 1???	UNIT MM	DECIMALS .XX ± .05	ANGULAR ± 0.5°
TITLE	MATERIAL	SHEET A4	TOLERANCES .XXX ± .010	DRAWN HYF
DRAW NO.	PAPER NO.	REV	DESIGN	DATE 09.1.16
			APPROVED	