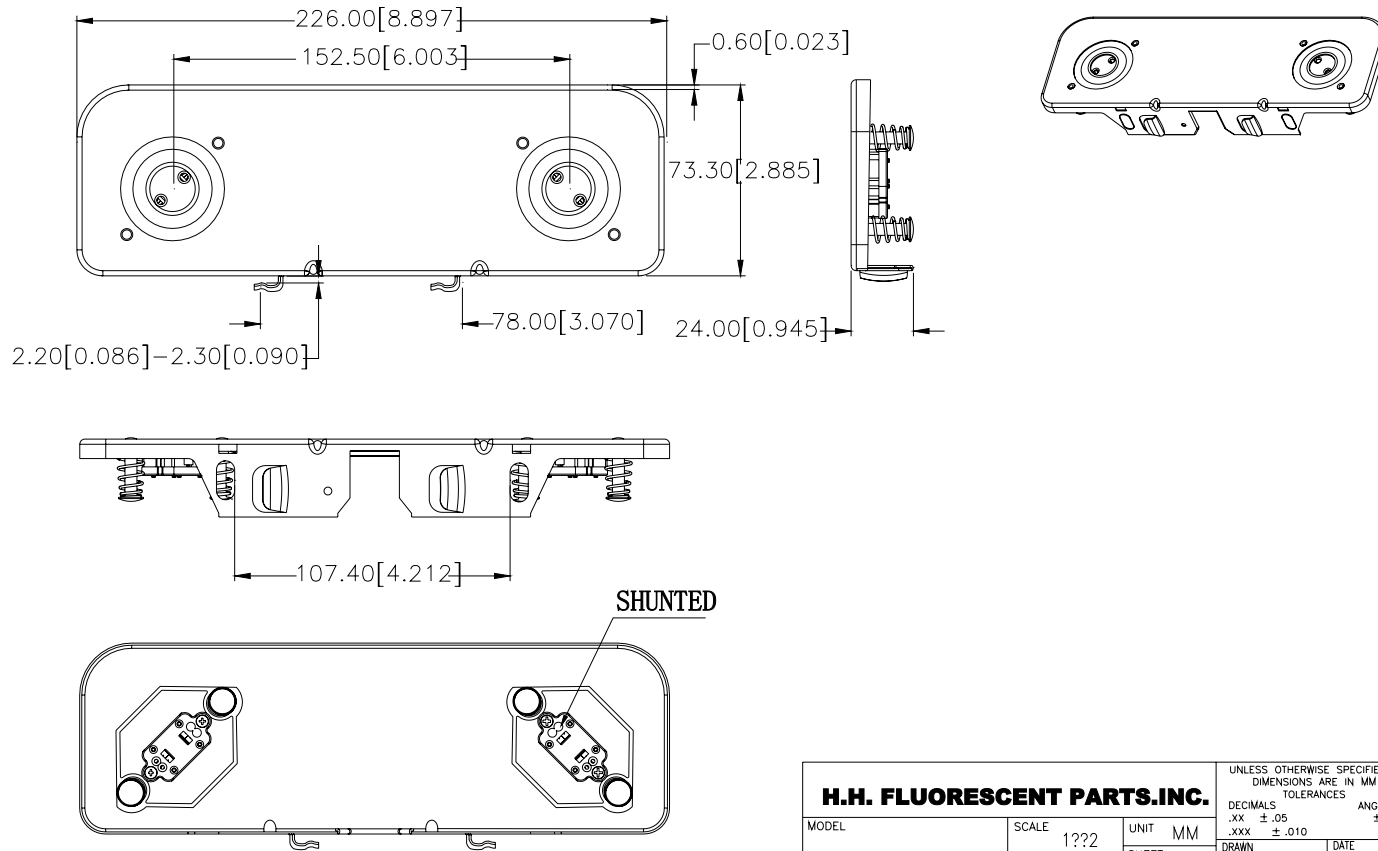


HH#:278S-9-250 AKD SPRING



H.H. FLUORESCENT PARTS.INC.			UNLESS OTHERWISE SPECIFIED: DIMENSIONS ARE IN MM	
MODEL	SCALE 1??2	UNIT MM	DECIMALS .XX ±.05	ANGULAR ± 0.5°
TITLE	MATERIAL	SHEET A4	DRWN HYF	DATE 09.1.16
DRAW NO.	PAPER NO.	REV	DESIGN	APPROVED