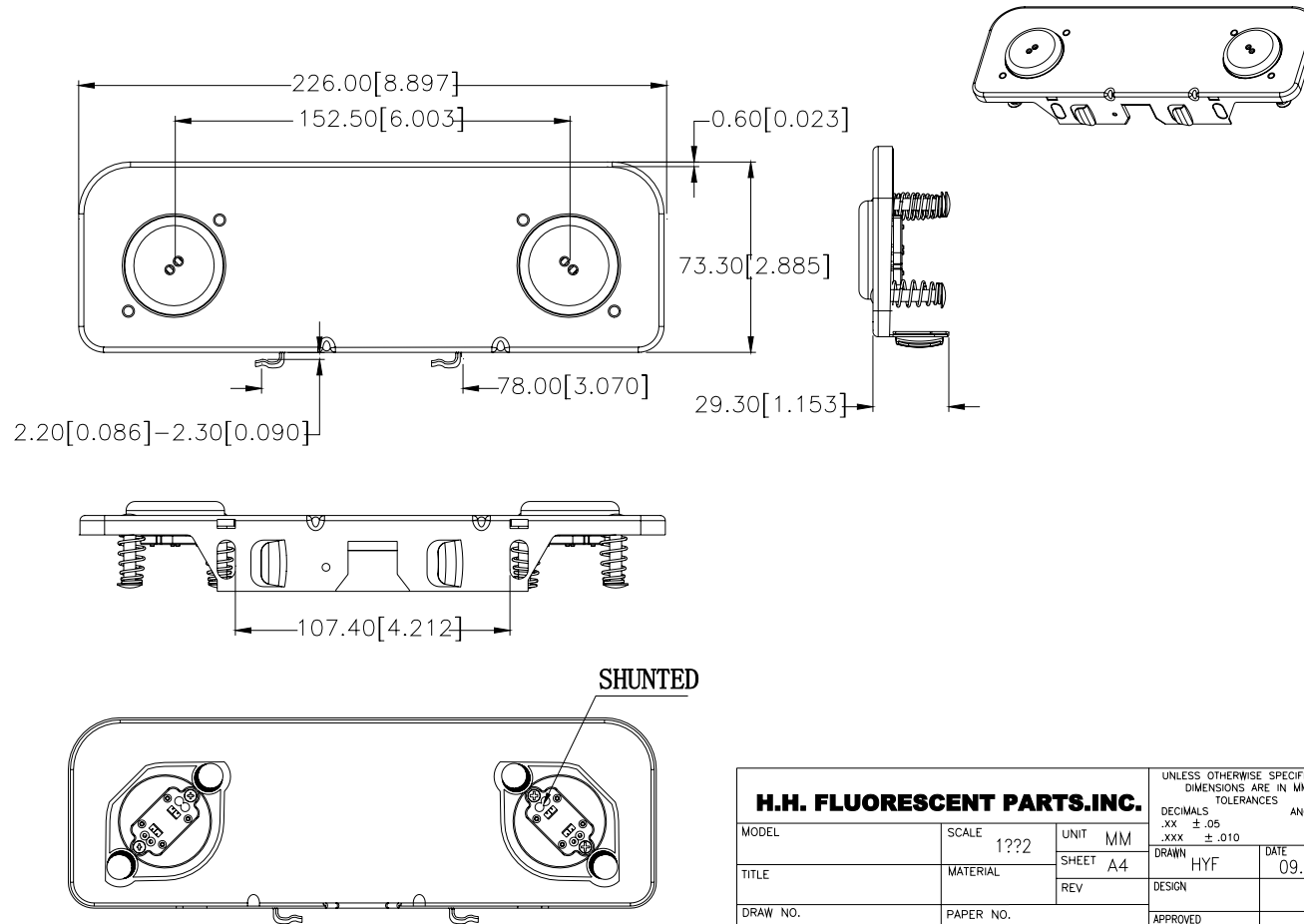


HH#:222S-9-250 KD SPRING



|                                    |            |          |   |                   |
|------------------------------------|------------|----------|---|-------------------|
| <b>H.H. FLUORESCENT PARTS.INC.</b> |            |          | UNLESS OTHERWISE SPECIFIED:<br>DIMENSIONS ARE IN MM |                   |
| MODEL                              | SCALE 1??2 | UNIT MM  | DECIMALS TOLERANCES<br>.XX ±.05                     | ANGULAR<br>± 0.5° |
| TITLE                              | MATERIAL   | SHEET A4 | DRAWN HYF   | DATE 09.1.16      |
| DRAW NO.                           | PAPER NO.  | REV      | DESIGN  | APPROVED          |