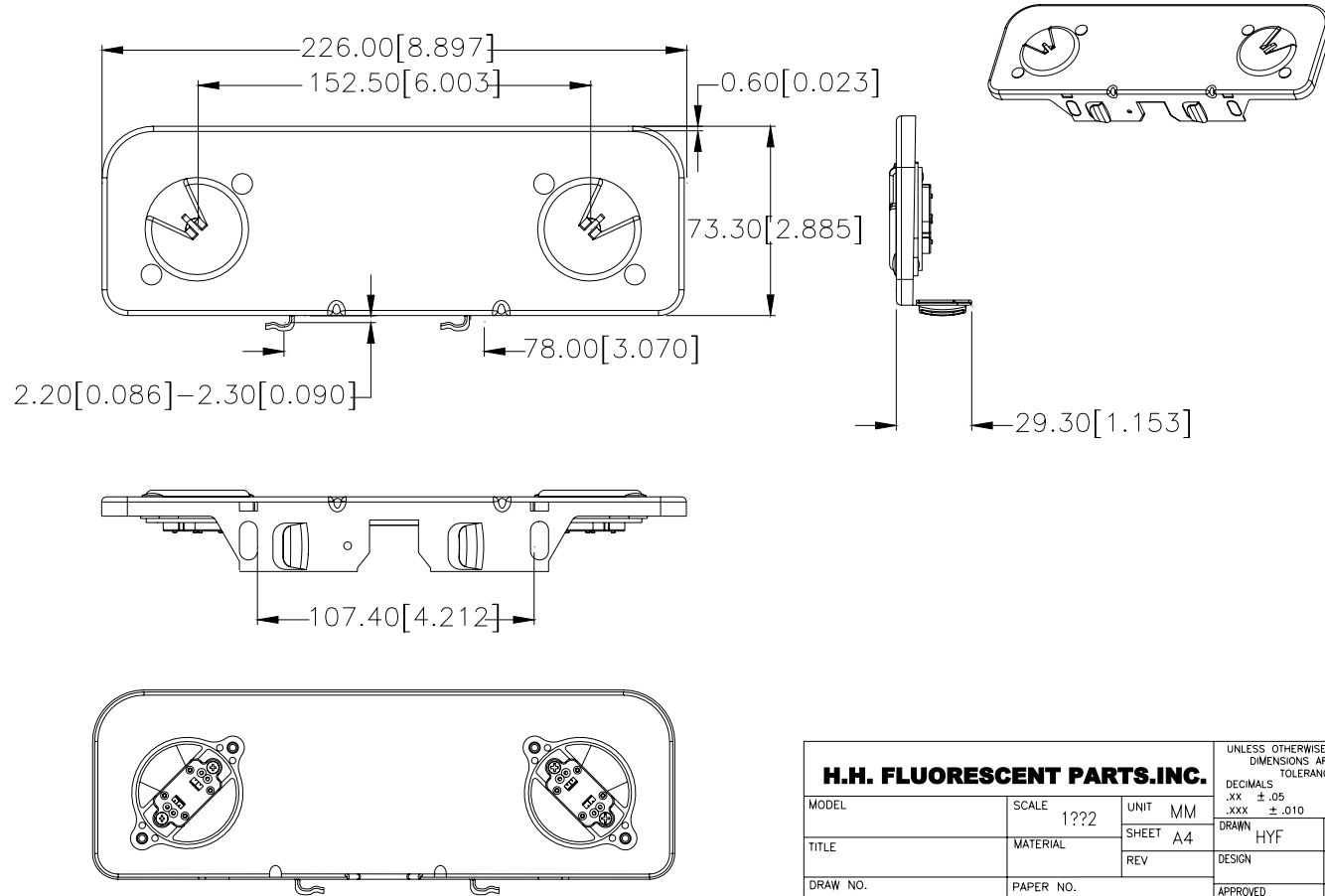


HH#:222-9-250 KD SOLID



H.H. FLUORESCENT PARTS.INC.			UNLESS OTHERWISE SPECIFIED: DIMENSIONS ARE IN MM	
MODEL	SCALE 1??2	UNIT MM	DECIMALS TOLERANCES .xx ±.05	ANGULAR ± 0.5°
TITLE	MATERIAL	SHEET A4	.xxx ±.010	DRAWN HYF
DRAW NO.	PAPER NO.	REV	DESIGN	DATE 09.1.16
			APPROVED	