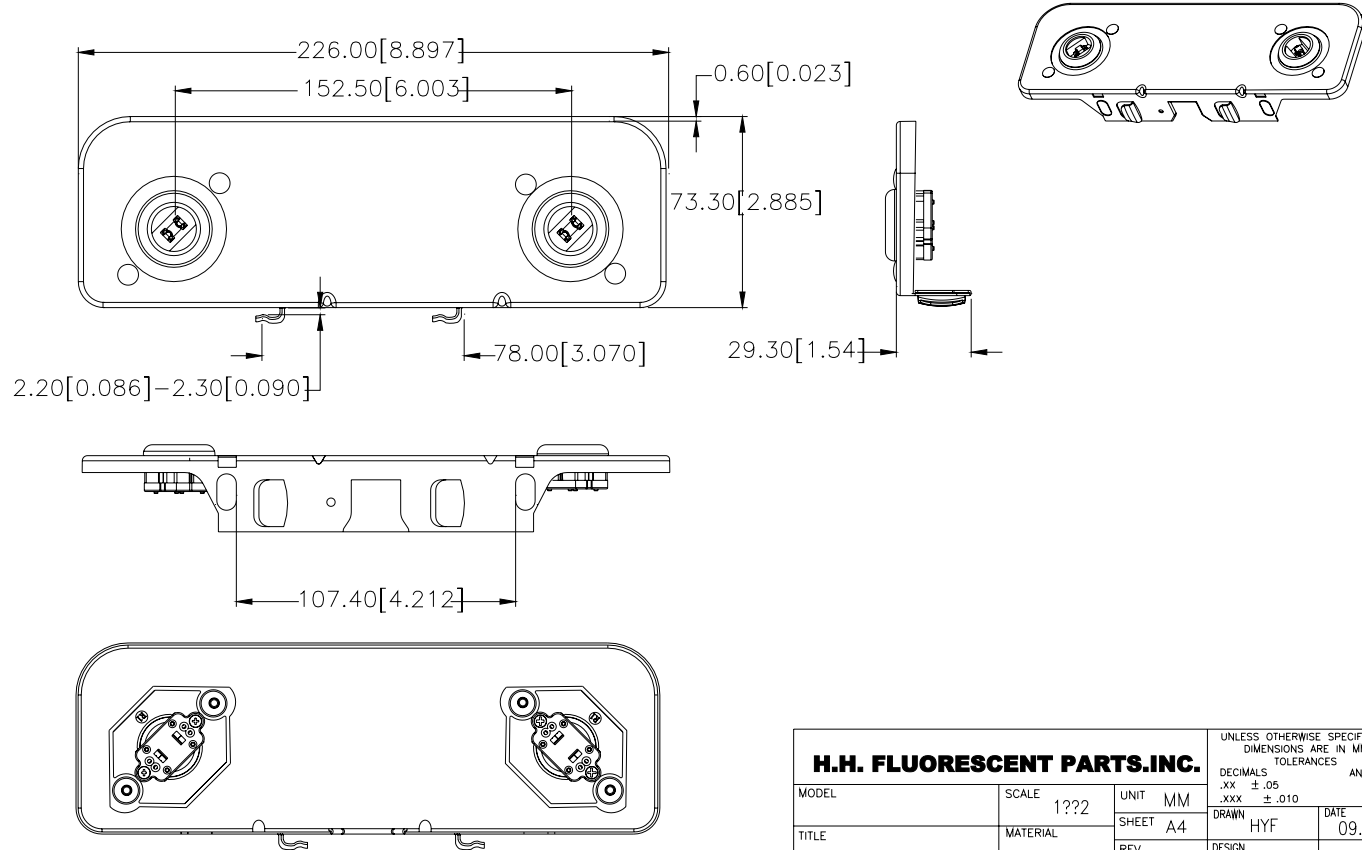


HH#:208-9-250 KD SOLID



<b>H.H. FLUORESCENT PARTS,INC.</b>			UNLESS OTHERWISE SPECIFIED: DIMENSIONS ARE IN MM TOLERANCES	
MODEL	SCALE 1???	UNIT MM	DECIMALS .XX ±.05	ANGULAR ± 0.5°
TITLE	MATERIAL	SHEET A4	.XXX ±.010	DRAWN HYF
DRAW NO.	PAPER NO.	REV	DESIGN	DATE 09.1.16
			APPROVED	