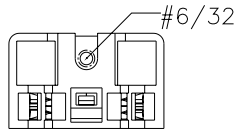
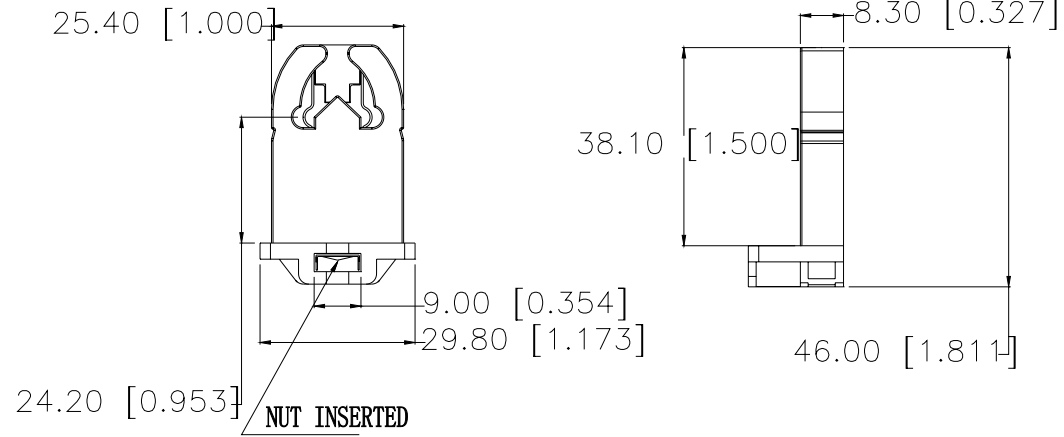
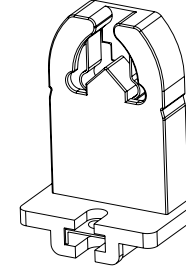


HH#: 1-926RW-2



<b>H.H. FLUORESCENT PARTS, INC.</b>			UNLESS OTHERWISE SPECIFIED: DIMENSIONS ARE IN MM	
MODEL	SCALE 1??1	UNIT MM	DECIMALS TOLERANCES	ANGULAR
TITLE	MATERIAL	SHEET A4	.XX ± .05	± 0.5°
DRAW NO.	PAPER NO.	REV	DESIGN	DATE
			DRAWN HYF	09.1.16
			APPROVED	