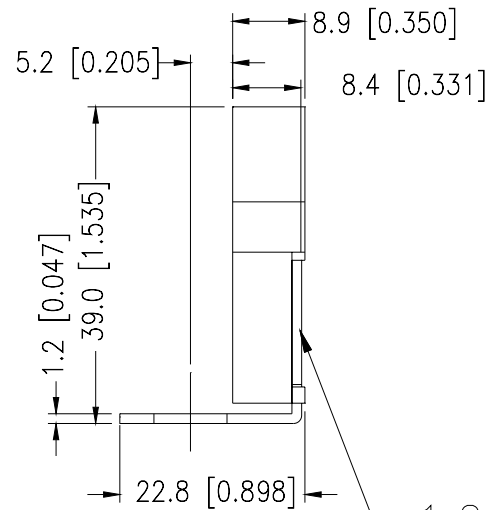
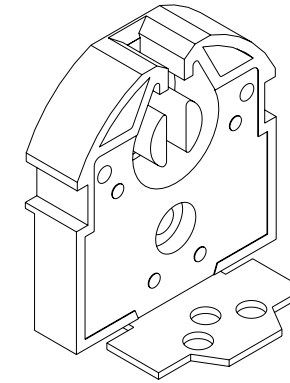
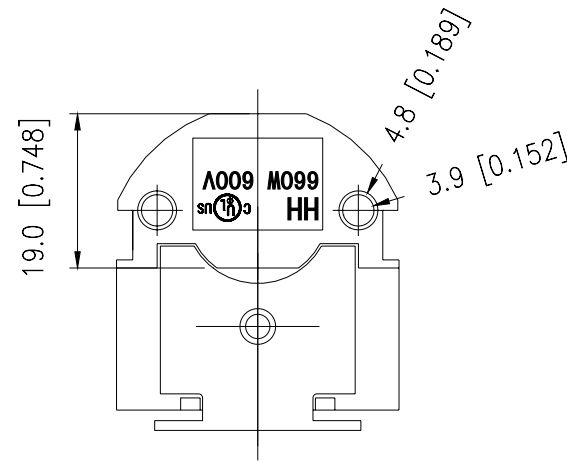
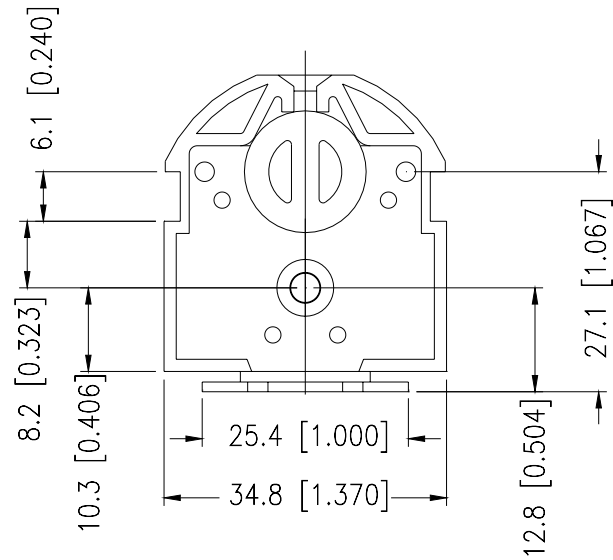
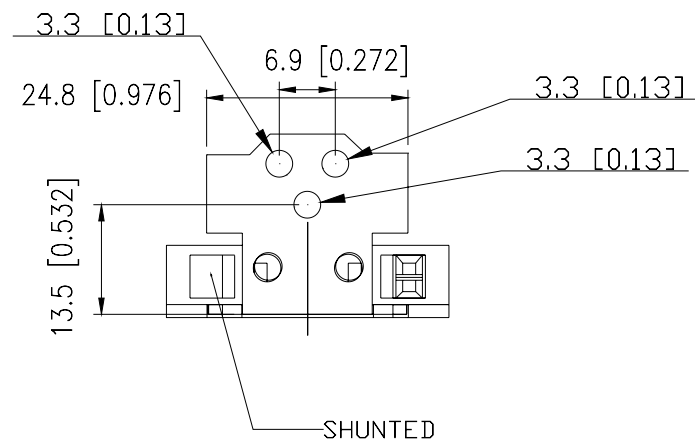


REVISIONS		
ZONE	DESCRIPTION	DURBEN



1.2MM THK ELECTROLYTIC GALVANIZED STEEL PLATE



H.H. FLUORESCENT PARTS.INC.			UNLESS OTHERWISE SPECIFIED: DIMENSIONS ARE IN MM	
MODEL	SCALE	UNIT	TOLERANCES	
B-131-12	1: 1	MM	DECIMALS	ANGULAR
TITLE	MATERIAL	SHEET	.XX ± .05	± 0.5°
		REV	.XXX ± .010	
DRAW NO.	PAPER NO.	APPROVED	DRAWN	DATE
			HUANG CHU YONG	21-4-10
			DESIGN	