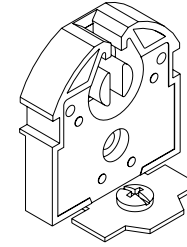
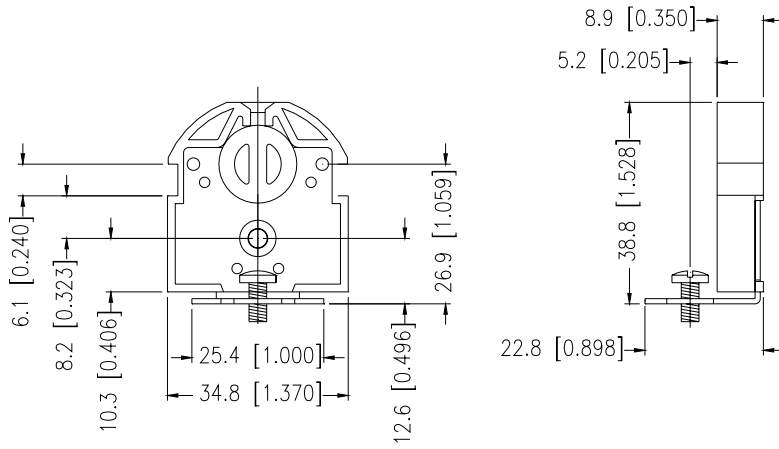


HH#: 1-726WS-3



<b>H.H. FLUORESCENT PARTS.INC.</b>			UNLESS OTHERWISE SPECIFIED: DIMENSIONS ARE IN MM TOLERANCES	
MODEL	SCALE	UNIT	DECIMALS	ANGULAR
	DIM 1:1	MM	.XX ± .05	± 0.5°
TITLE	MATERIAL	SHEET A4	.XXX ± .010	DATE 09.1.16
DRAW NO.	PAPER NO.	REV	DRAWN HYF	DESIGN
				APPROVED