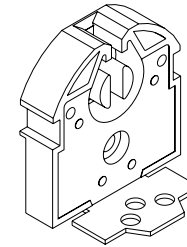
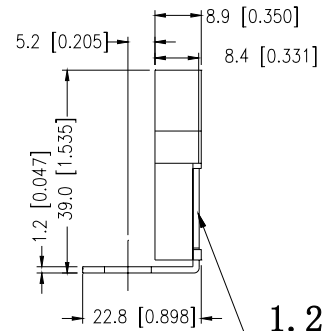
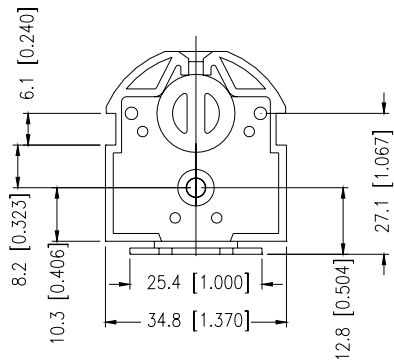
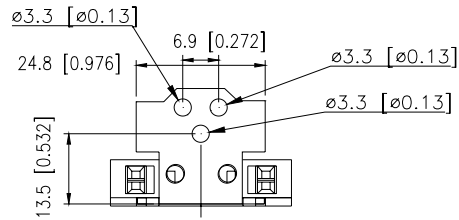


HH#: 1-726W-6



1.2MM THK ELECTROLYTIC GALVANIZED STEEL PLATE



H.H. FLUORESCENT PARTS.INC.			UNLESS OTHERWISE SPECIFIED: DIMENSIONS ARE IN MM	
		DECIMALS TOLERANCES		ANGULAR
		.XX	± .05	± 0.5°
		.XXX	± .010	
MODEL	SCALE 1??1	UNIT	MM	DATE 09.1.16
TITLE	MATERIAL	SHEET	A4	DRAWN HYF
		REV		DESIGN
DRAW NO.	PAPER NO.			APPROVED