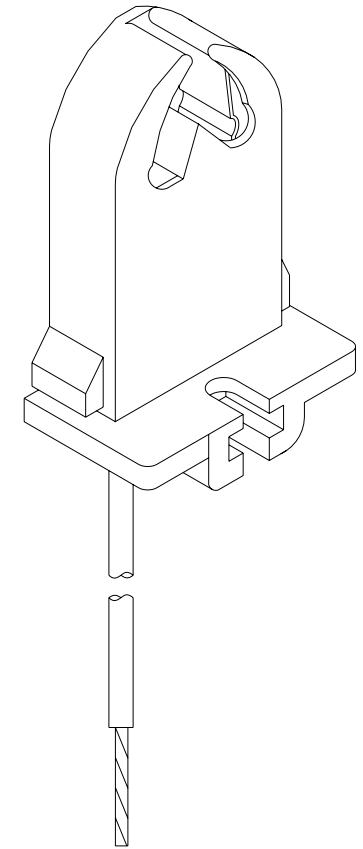
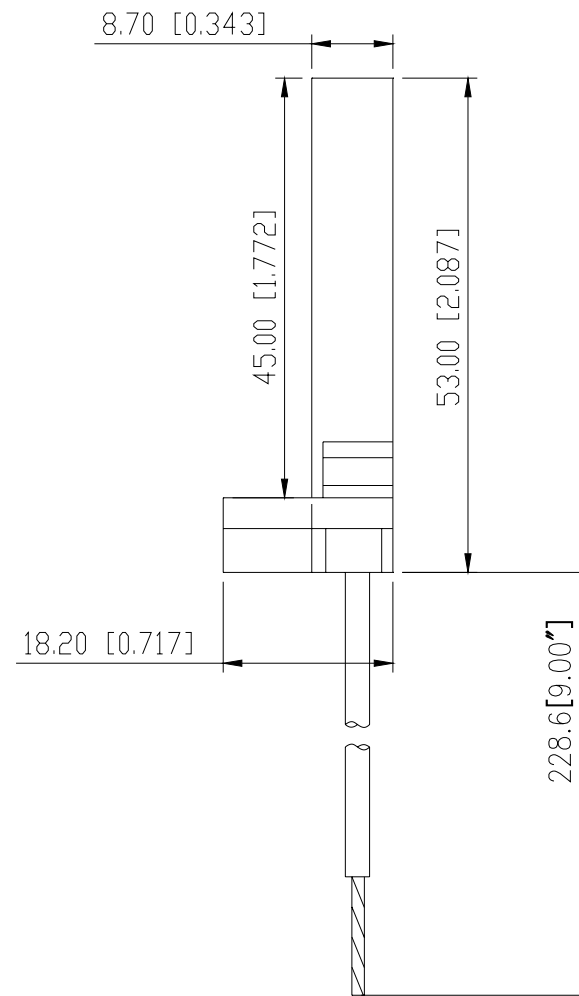
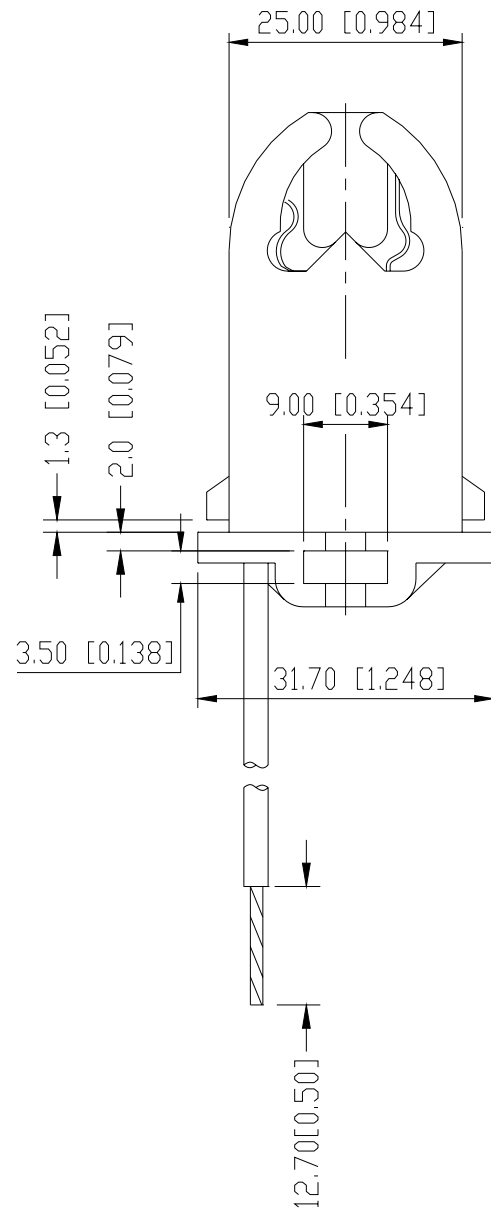


HH#: 1-626SW-9"



<b>H.H. FLUORESCENT PARTS, INC.</b>			UNLESS OTHERWISE SPECIFIED: DIMENSIONS ARE IN MM	
			DECIMALS .XX ±.05 .XXX ±.010	ANGULAR ± 0.5°
MODEL	SCALE <b>1: 1</b>	UNIT MM	DRAWN <b>HYF</b>	DATE <b>09. 1. 16</b>
TITLE	MATERIAL	SHEET A4	DESIGN	
DRAW NO.	PAPER NO.	REV	APPROVED	