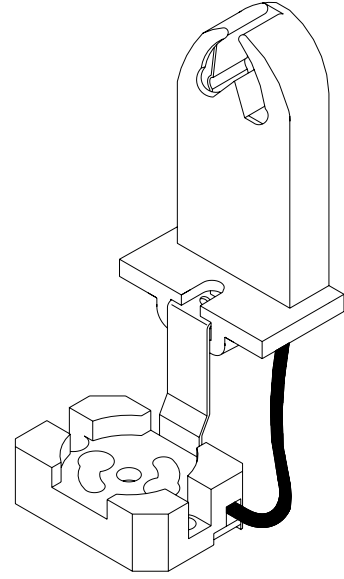
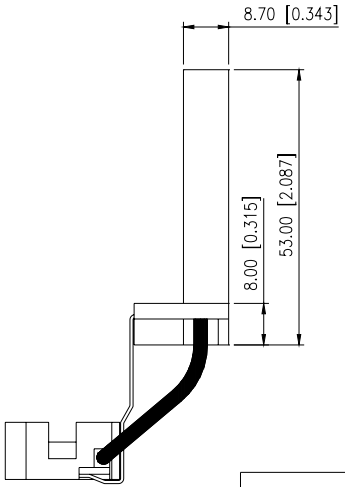
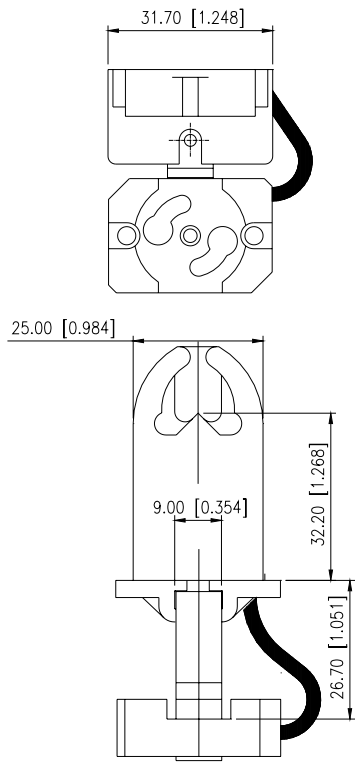


HH#: 1-526RW-10



H.H. FLUORESCENT PARTS,INC.			UNLESS OTHERWISE SPECIFIED: DIMENSIONS ARE IN MM	
MODEL	SCALE 1??1	UNIT MM	DECIMALS .XX ±.05	ANGULAR ± 0.5°
TITLE	MATERIAL	SHEET A4	.XXX ±.010	
DRAW NO.	PAPER NO.	REV	DRAWN HYF	DATE 09.1.16
			DESIGN	
			APPROVED	