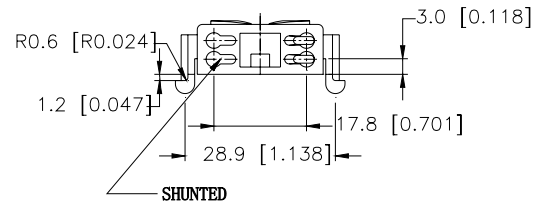
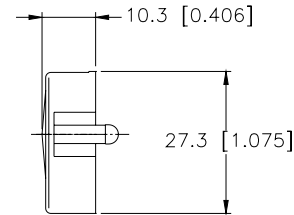
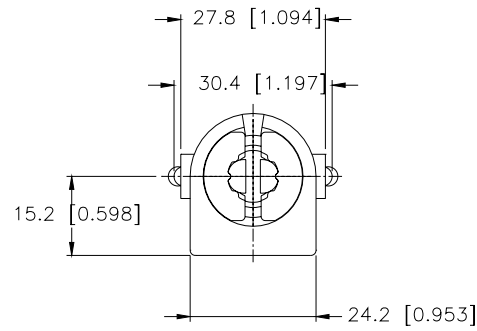
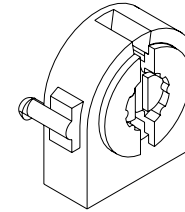


HH#:1-511S



H.H. FLUORESCENT PARTS.INC.			UNLESS OTHERWISE SPECIFIED: DIMENSIONS ARE IN MM	
MODEL	SCALE 1??1	UNIT MM	DECIMALS TOLERANCES .XX ± .05	ANGULAR ± 0.5°
TITLE	MATERIAL	SHEET A4	.XXX ± .010	DRAWN HYF
DRAW NO.	PAPER NO.	REV	DESIGN	DATE 09.1.16
			APPROVED	