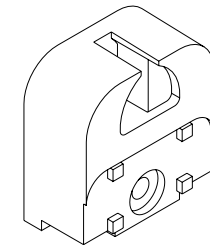
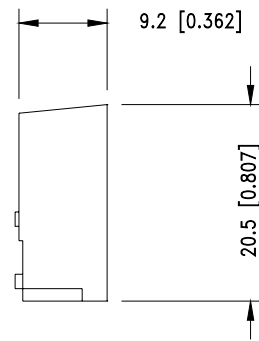
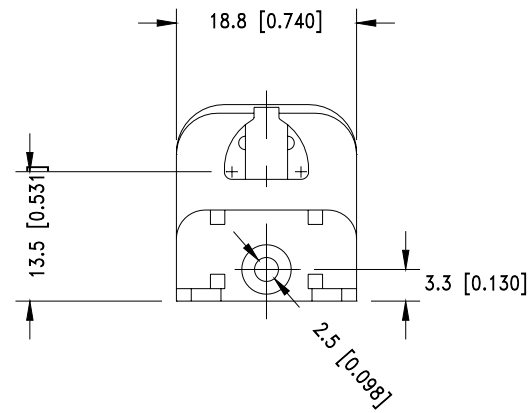


REVISIONS			
ZONE	DESCRIPTION	MENDER	DATE



H H FLUORESCENT PARTS.INC.		UNLESS OTHERWISE SPECIFIED: DIMENSIONS ARE IN INCHES	
		TOLERANCES	
		DECIMALS	ANGULAR
		.XX ± .05	±0.5°
		.XXX ± .010	
1-450W-8		DRAWN HUANGFANG	DATE 9-4-2010
DESCRIPTION		CHECKED	
DWG NO.		DESIGN	
MATERIAL	SIZE A4	SCALE 1:1	ALL DIMENSIONS ARE IN MM
			REV