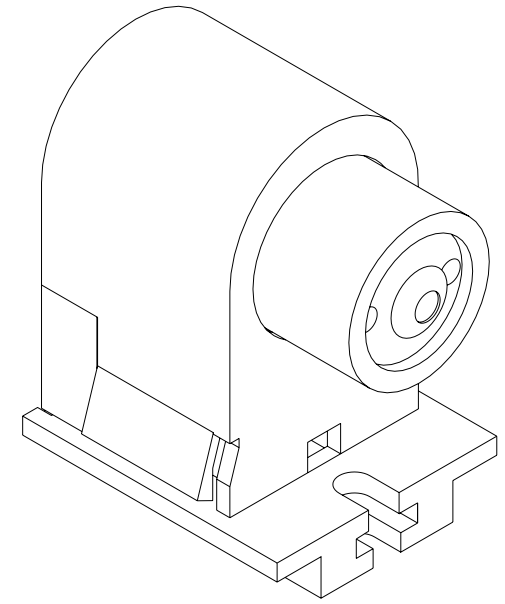
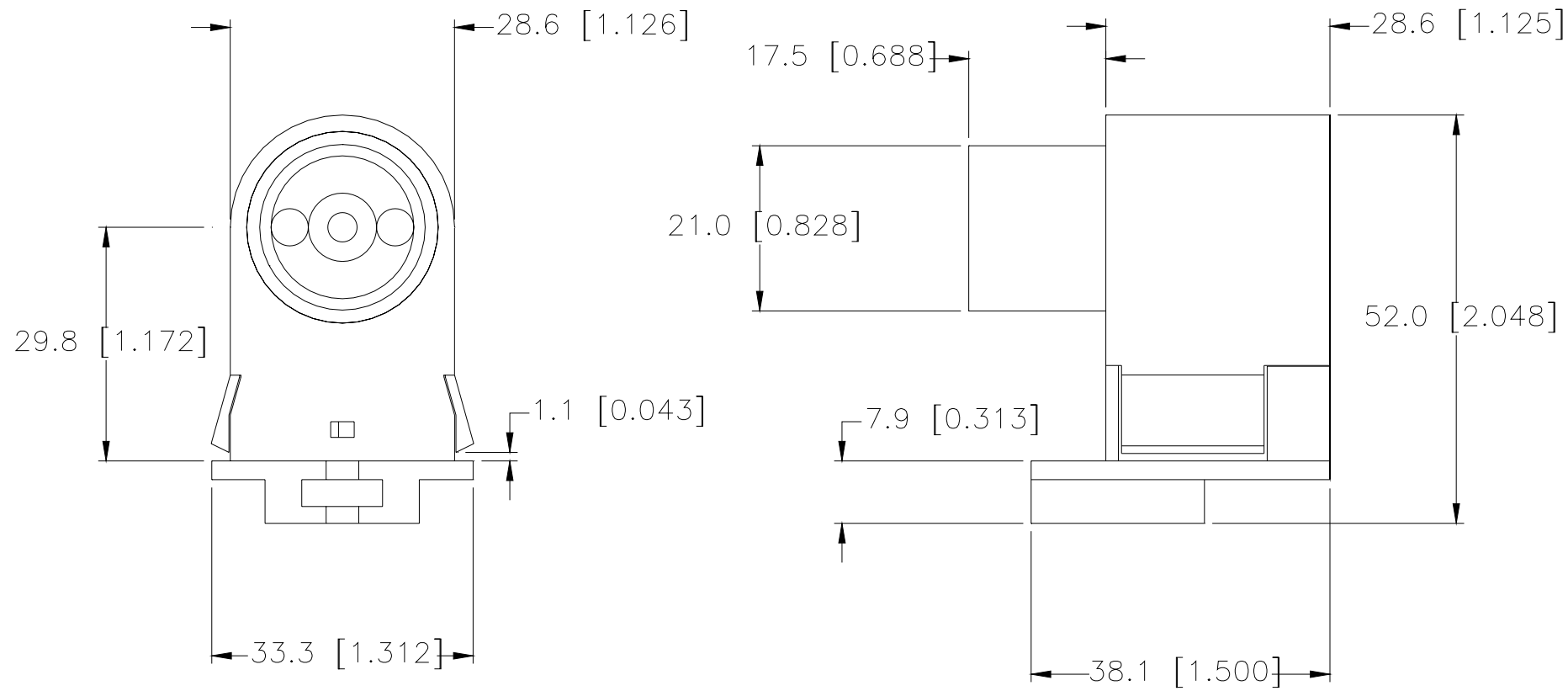


HH#:1-421



<b>H.H. FLUORESCENT PARTS.INC.</b>			UNLESS OTHERWISE SPECIFIED: DIMENSIONS ARE IN MM	
			DECIMALS .XX ±.05 .XXX ±.010	ANGULAR ± 0.5°
MODEL	SCALE 1??1	UNIT MM	DRAWN HYF	DATE 09.1.16
TITLE	MATERIAL	SHEET A4	DESIGN	
DRAW NO.	PAPER NO.	REV	APPROVED	