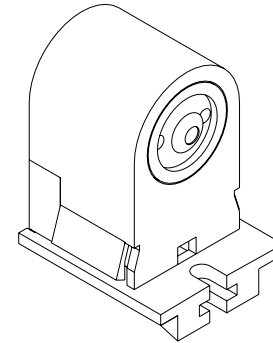
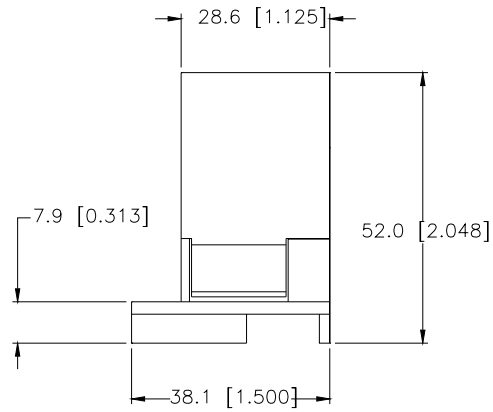
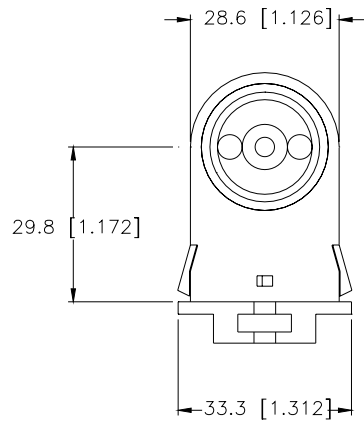


HH#:1-420



H.H. FLUORESCENT PARTS.INC.			UNLESS OTHERWISE SPECIFIED: DIMENSIONS ARE IN MM	
MODEL	SCALE	UNIT	DECIMALS TOLERANCES	ANGULAR
	1??1	MM	.XX ± .05	± 0.5°
TITLE	MATERIAL	SHEET	.XXX ± .010	
		A4	DRAWN	DATE
		REV	HYF	09.1.16
DRAW NO.	PAPER NO.		DESIGN	
			APPROVED	