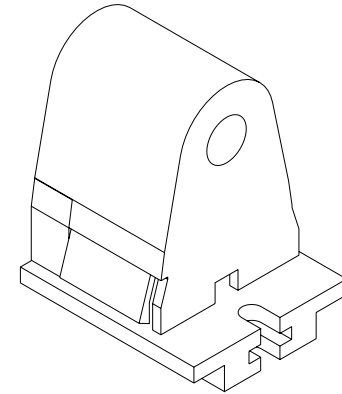
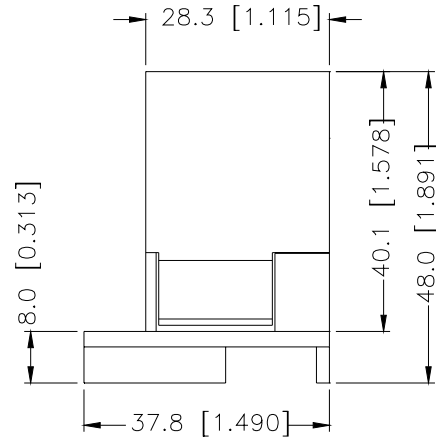
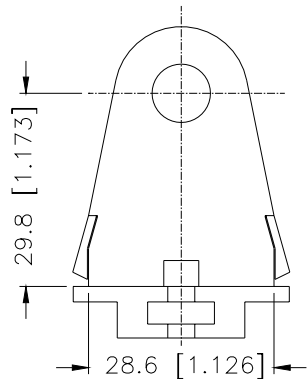


HH#:1-314



H.H. FLUORESCENT PARTS,INC.

UNLESS OTHERWISE SPECIFIED:
DIMENSIONS ARE IN MM
TOLERANCES
DECIMALS ANGULAR
.XX ±.05 ± 0.5°
.XXX ±.010

MODEL	SCALE 1??1	UNIT MM	DRAWN HYF	DATE 09.1.16
TITLE	MATERIAL	SHEET A4	DESIGN	
DRAW NO.	PAPER NO.	REV	APPROVED	