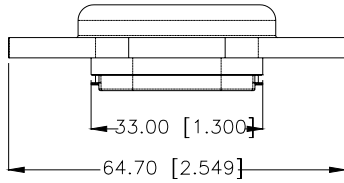
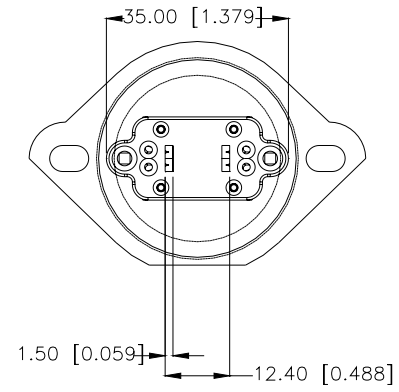
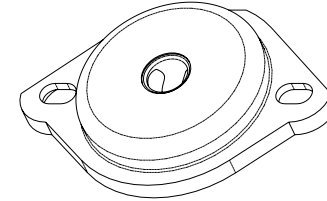
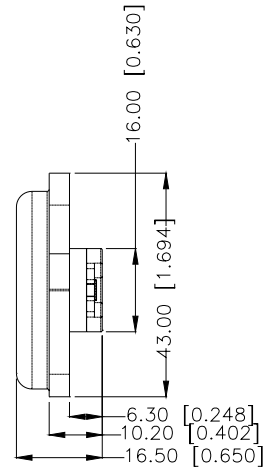
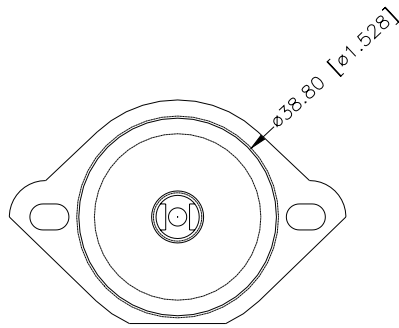


HH#:1-2700



H.H. FLUORESCENT PARTS.INC.			DIMENSIONS ARE IN MM	
			TOLERANCES	
			DECIMALS	ANGULAR
			.XX ±.05	± 0.5°
			.XXX ±.010	
MODEL	SCALE	UNIT	DRAWN	DATE
	1??1	MM	HYF	09.1.16
TITLE	MATERIAL	SHEET	DESIGN	
		A4		
		REV		
DRAW NO.	PAPER NO.		APPROVED	