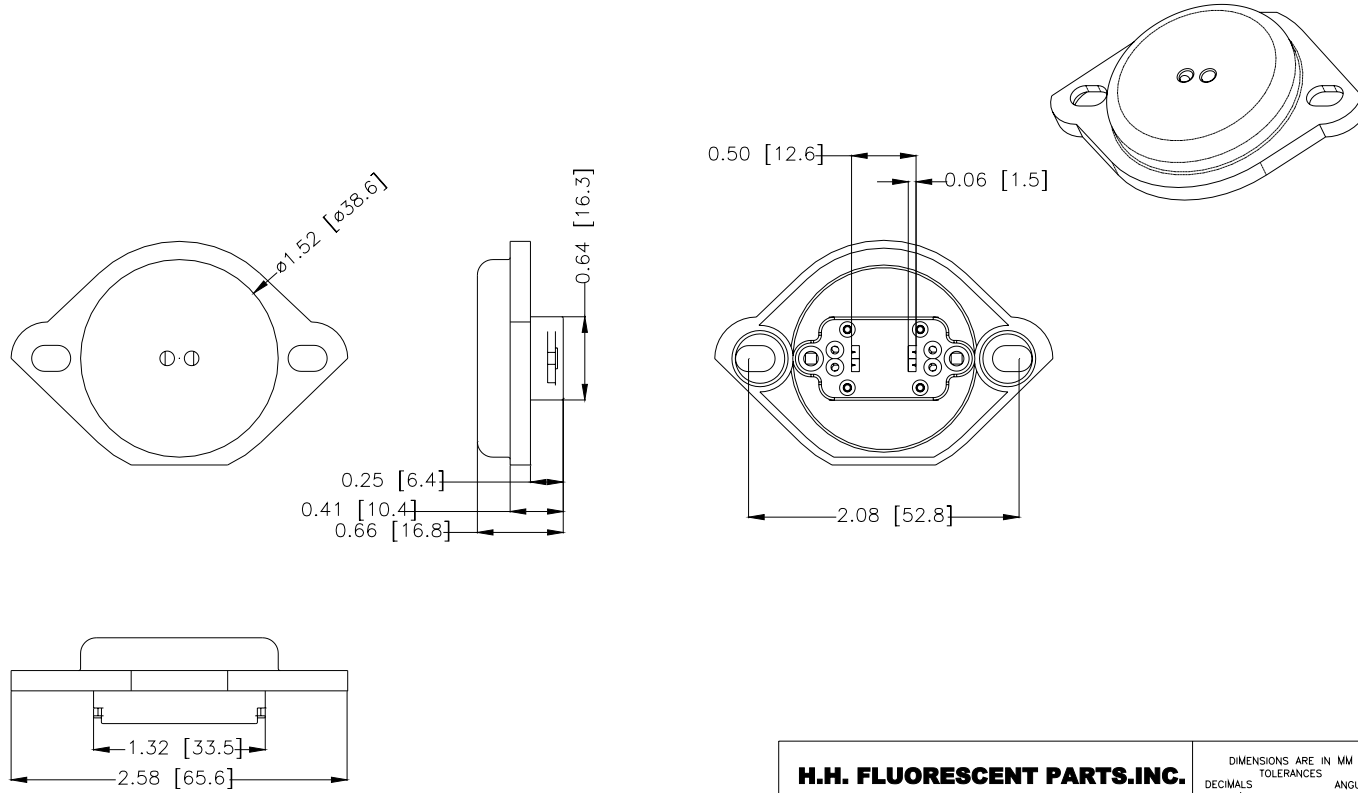


HH#:1-27



H.H. FLUORESCENT PARTS.INC.			DIMENSIONS ARE IN MM	
			TOLERANCES	
			DECIMALS	ANGULAR
			.XX ± .05	± 0.5°
			.XXX ± .010	
MODEL	SCALE 1??1	UNIT MM	DRAWN HYF	DATE 09.1.16
TITLE	MATERIAL	SHEET A4	DESIGN	
		REV		
DRAW NO.	PAPER NO.		APPROVED	