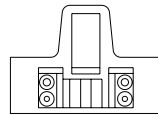
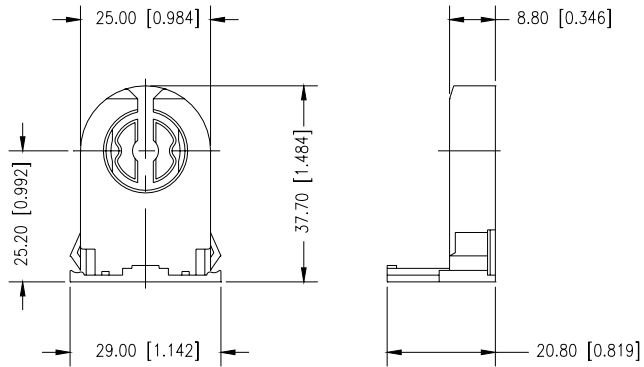
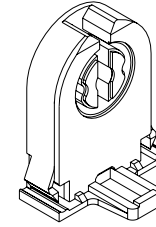


HH#: 1-1803



H.H. FLUORESCENT PARTS,INC.			UNLESS OTHERWISE SPECIFIED: DIMENSIONS ARE IN MM	
MODEL	SCALE 1??1	UNIT MM	DECIMALS .XX ±.05	ANGULAR ± 0.5°
TITLE	MATERIAL	SHEET A4	TOLERANCES .XXX ±.010	DATE 09.1.16
DRAW NO.	PAPER NO.	REV	DRAWN HYF	DESIGN
			APPROVED	