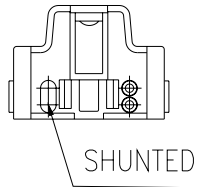
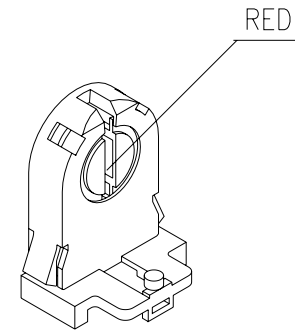
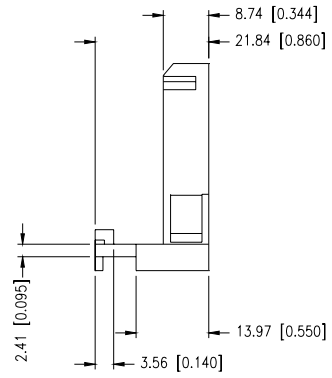
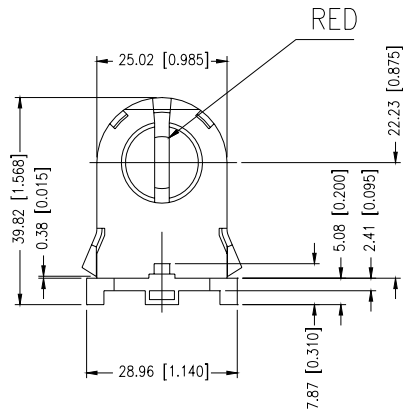


HH#: 1-1704



H.H. FLUORESCENT PARTS,INC.			UNLESS OTHERWISE SPECIFIED: DIMENSIONS ARE IN MM	
MODEL	SCALE	UNIT	TOLERANCES	
	1??1	MM	DECIMALS	ANGULAR
TITLE	MATERIAL	SHEET	.XX ± .05	± 0.5°
		A4	.XXX ± .010	
DRAW NO.	PAPER NO.	REV	DRAWN	DATE
			HYF	09.1.16
			DESIGN	
			APPROVED	