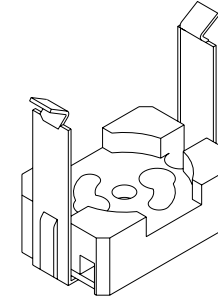
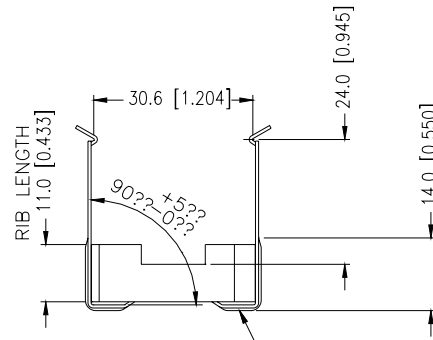
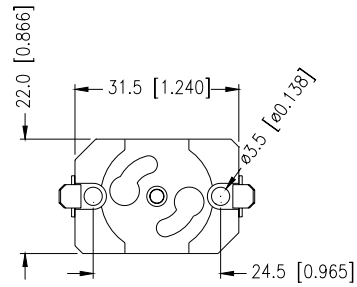


HH#:1-125-5



ZINC PLATING  
 HARDENED STEEL

|                                    |            |          |   |                   |
|------------------------------------|------------|----------|---|-------------------|
| <b>H.H. FLUORESCENT PARTS.INC.</b> |            |          | UNLESS OTHERWISE SPECIFIED:<br>DIMENSIONS ARE IN MM |                   |
| MODEL                              | SCALE 1??1 | UNIT MM  | DECIMALS TOLERANCES<br>.XX ±.05                     | ANGULAR<br>± 0.5° |
| TITLE                              | MATERIAL   | SHEET A4 | .XXX ±.010  |                   |
| DRAW NO.                           | PAPER NO.  | REV      | DRAWN HYF   | DATE 09.1.16      |
|                                    |            |          | DESIGN  |                   |
|                                    |            |          | APPROVED  |                   |