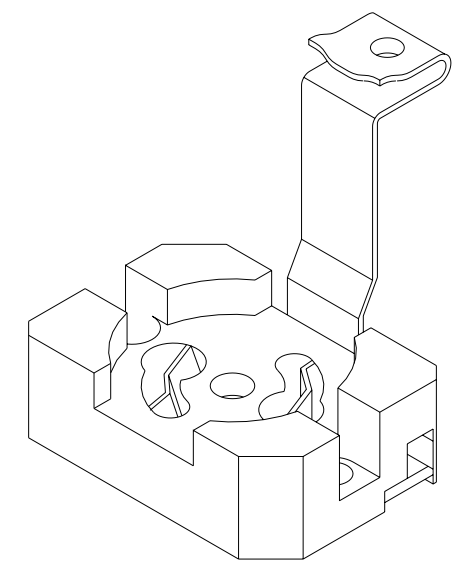
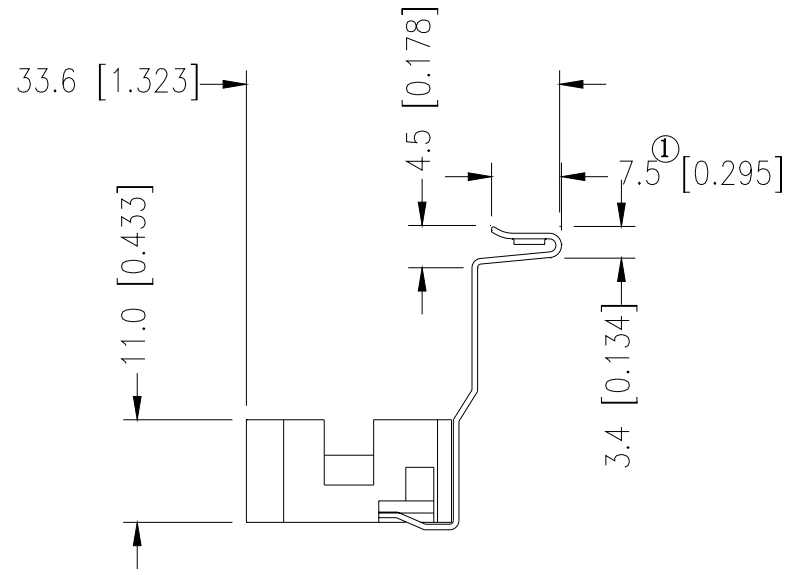
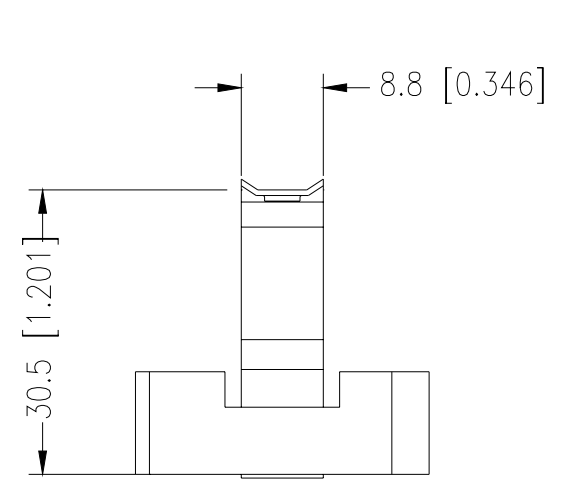
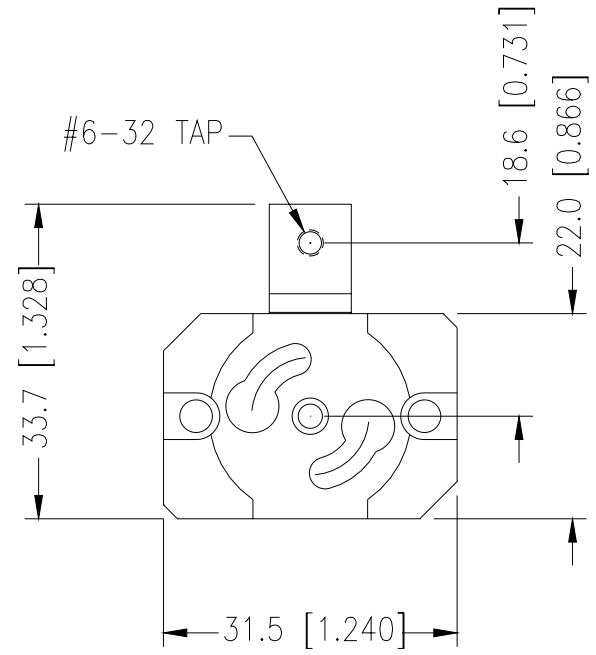


HH#:1-125-3



<b>H.H. FLUORESCENT PARTS.INC.</b>			UNLESS OTHERWISE SPECIFIED: DIMENSIONS ARE IN MM TOLERANCES	
MODEL	SCALE 1??1	UNIT MM	DECIMALS .XX ± .05	ANGULAR ± 0.5°
TITLE	MATERIAL	SHEET A4	DRAWN HYF	DATE 09.1.16
DRAW NO.	PAPER NO.	REV	DESIGN	
			APPROVED	