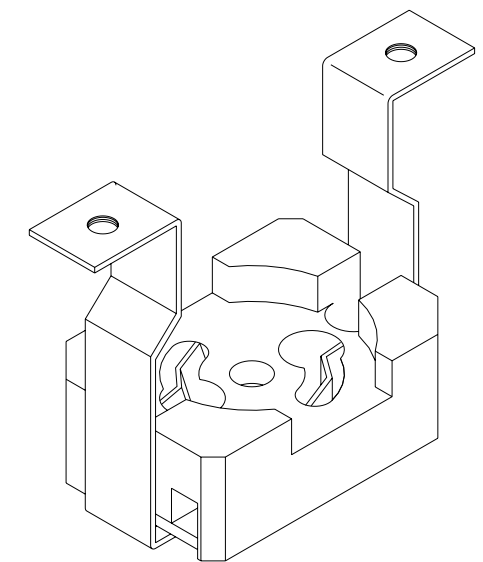


1. 20MM THK
ELECTROLYTIC
GALVANIZED
STEEL PLATE



H H FLUORESCENT PARTS, INC.		UNLESS OTHERWISE SPECIFIED: DIMENSIONS ARE IN INCHES TOLERANCES	
		DECIMALS	ANGULAR
		.XX ± .05	±0.5°
		.XXX ± .010	
1-125-2		DRAWN HUANGFANG	DATE 2006-10-27
DESCRIPTION		CHECKED	DESIGN
MATERIAL		SIZE A4	SCALE 1:1
		DWG NO.	REV
		ALL DIMENSIONS ARE IN MM	