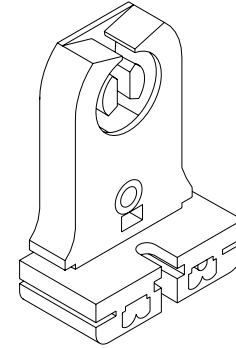
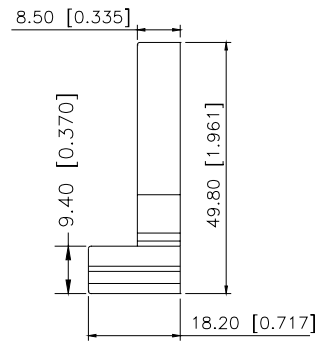
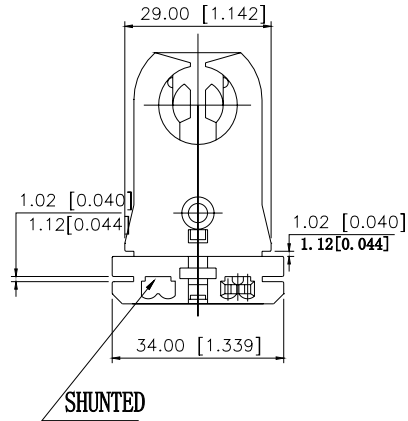


HH#: 1-1126SWS



<b>H.H. FLUORESCENT PARTS, INC.</b>			UNLESS OTHERWISE SPECIFIED: DIMENSIONS ARE IN MM	
MODEL	SCALE 1??1	UNIT MM	DECIMALS .XX ± .05 .XXX ± .010	ANGULAR ± 0.5°
TITLE	MATERIAL	SHEET A4	DRAWN HYF	DATE 09.1.16
DRAW NO.	PAPER NO.	REV	DESIGN	APPROVED