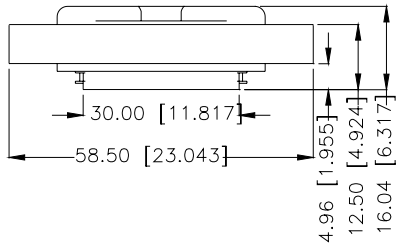
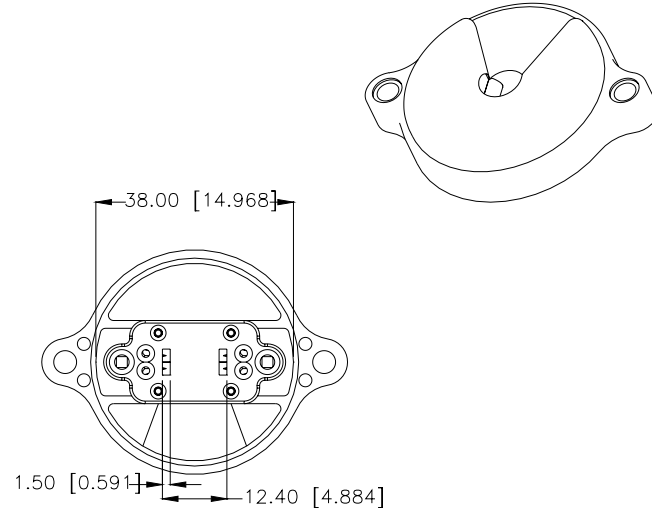
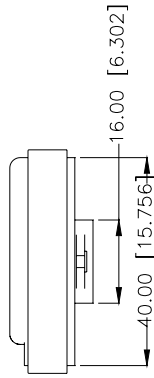
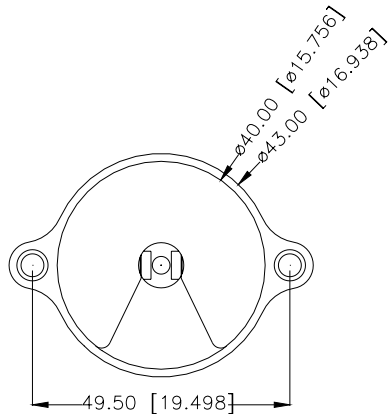


HH#:1-1110



H.H. FLUORESCENT PARTS.INC.			DIMENSIONS ARE IN MM	
			DECIMALS	ANGULAR
			TOLERANCES	TOLERANCES
MODEL	SCALE	UNIT	.XX ± .05	± 0.5°
	1??1	MM	.XXX ± .010	
TITLE	MATERIAL	SHEET	DRAWN	DATE
		A4	HYF	09.1.16
DRAW NO.	PAPER NO.	REV	DESIGN	
			APPROVED	